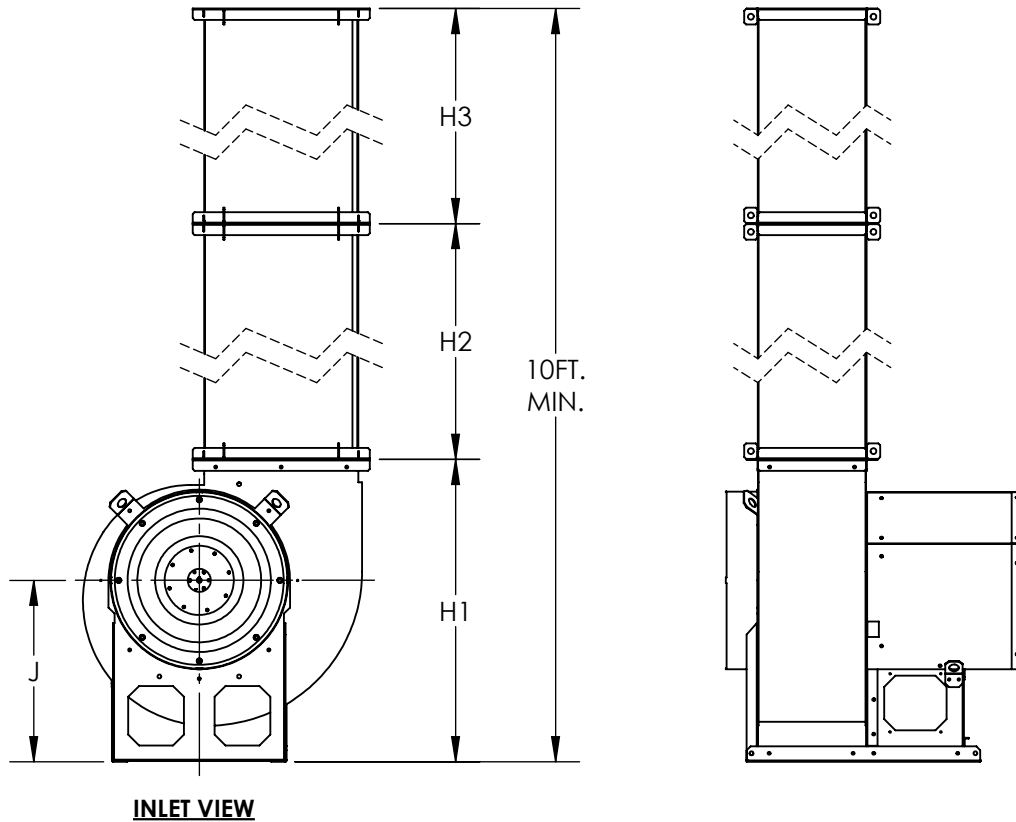


UTILITY VENT SET FAN
 UVS2, CLASS 1, AR.4, OUTLET STACK



INLET VIEW

DIMENSIONAL DATA

SIZE	H1	H2	H3	J	WT. (lbs)	
					ALUMINIUM	STEEL
60	29.56	45.13	45.13	18.00	2 X 12	2 X 31
70	29.56	45.13	45.13	18.00	2 X 12	2 X 31
80	29.56	45.13	45.13	18.00	2 X 12	2 X 31
105	29.56	45.13	45.13	18.00	2 X 12	2 X 31
122	31.25	44.38	44.38	18.00	2 X 14	2 X 35
135	32.38	43.81	43.81	18.38	2 X 20	2 X 38
150	34.50	42.75	42.75	20.00	2 X 21	2 X 41
165	36.13	41.94	41.94	21.63	2 X 23	2 X 44
182	38.13	40.69	40.69	23.63	2 X 24	2 X 48
200	41.75	39.13	39.13	25.75	2 X 26	2 X 57
222	46.00	37.00	37.00	28.25	2 X 34	2 X 71
245	50.25	34.88	34.88	30.75	2 X 35	2 X 74
270	55.25	32.38	32.38	33.75	2 X 36	2 X 77
300	61.50	27.81	27.81	37.63	2 X 35	2 X 76
330	67.25	52.75	-	41.00	1 X 68	1 X 136

STANDARD CONSTRUCTION:

1. Aluminum construction with lifting lugs (not to lift entire fan).
2. One piece stack for size 330
3. Use of guy wires is required. Guy wires to be specified by consulting engineer.
4. Stacks will be shipped loose.

ALL DIMENSIONS ARE IN INCHES, ALL WEIGHTS ARE APPROXIMATE